

Feature

- 150# WSP / 600# WOG
- Brass body
- Full port
- Adjustable packing
- FNPT x FNPT
- Threaded ends (ASME B1.20.1-NPT)
- Blow-out proof stem
- MSS-SP-110
- 550 psi for UL use (1½" & 2")
- CSA ½, 5 & 125 psi (½" - 2")
- CSA ½ & 5 psi (2½" & 3")
- UL approved (¼" - 2")
- FM approved (½" - 2")

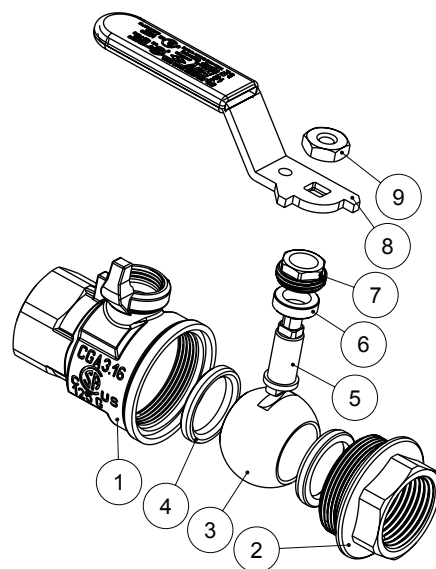


Meet BAA requirement

Pressure/ Temperature rating	
600 psi from 15 °F to 160 °F	150 psi max. at 366 °F

Material

	Part	Material	Specification
1	Body	Brass	B124 C37700
2	End piece	Brass	B124 C37700
3	Ball	Brass / Cr plated	B124 C37700
4	Seat	PTFE	PTFE
5	Stem	Brass	B124 C37700
6	Packing	PTFE	PTFE
7	Packing nut	Brass	B124 C37700
8	Handle	Steel / Geomet® plated	A36
9	Handle nut	Steel / Zn plated	A36



Dimension, Cv, Weight

	A	C	H	L	P	Cv	Wt.
	[in]	[in]	[in]	[in]	[in]		[lb]
¼"	1.73	0.45	1.55	3.19	0.39	8	0.34
⅜"	1.73	0.45	1.55	3.19	0.39	8	0.32
½"	2.13	0.55	2.13	3.60	0.59	15	0.58
¾"	2.56	0.59	2.26	3.60	0.79	30	0.86
1"	2.92	0.71	2.57	4.98	0.98	60	1.34
1¼"	3.39	0.73	2.79	4.98	1.26	110	2.14
1½"	3.90	0.77	3.28	5.57	1.57	130	3.12
2"	4.45	0.81	3.58	5.57	1.97	360	4.82
2½"	6.02	1.18	4.70	11.07	2.56	450	9.78
3"	6.81	1.22	5.15	11.07	3.15	620	13.9
4"	7.64	1.32	5.64	11.07	3.94	1200	20.4

