



Figure # RW-5309VB

PEX End Frostproof Sillcock

Product Features

- 125# CWP
- 1/2" Male PEX Barb Inlet
- Anti-Siphon, Frostproof
- Integral Vacuum Breaker

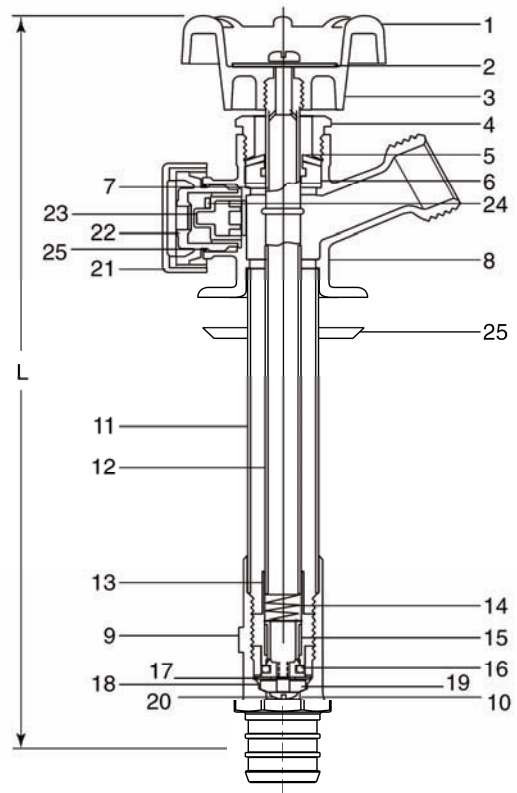
Pressure/Temperature Ratings

125# CWP

180 degrees F. max temp.

Materials & Specifications

Item	Description	Material	Specification
1	Handle Screw	Brass	B134
2	Name Plate	Aluminum	B209
3	Handwheel	Zinc Alloy	B86
4	Gland	Brass	B16
5	Washer	Stainless Steel	304
6	Packing	Buna-N	-
7	Washer	Stainless	304
8	Body	Brass	B584-C85700
9	Body End	Brass	B584-C85700
10	Disc Seat	Brass	B584-C85700
11	Body Tube	Brass	B584-C85700
12	Stem	Brass	B135-C36000
13	Disc Top	Brass	B135-C36000
14	Spring	Stainless Steel	304
15	Disc Body	Brass	B135-C36000
16	Seal	Buna-N	-
17	Seal Holder	Brass	B135-C36000
18	Seat Insert	Buna-N	-
19	Disc Cap	Brass	B135-C36000
20	Disc Screw	Brass	B135-C36000
21	VB Cover	Brass	B135-C36000
22	VB Body	Plastic	-
23	VB Packing	Buna-N	-
24	VB Seal	Nylon	-
25	VB O-ring	Buna-N	-



Dimensions, Weights (inches-lbs.) & Valve Data

Size	4	6	8	10	12	14
L	9.25	11.26	13.27	15.28	17.28	19.29
Wt.- lbs.	1	1	1.2	1.2	1.2	1.3



RED-WHITE VALVE CORP. 20600 Regency Lane • Lake Forest, CA 92630
 tel: 949.859.1010 • fax: 949.859.7200 • www.redwhitevalvecorp.com