



# Figure # RW-323

Brass Hose Bibb (1/2"-3/4")

## Product Features

- 125# CWP
- Brass Body
- Compression x Hose End
- Quarter Turn Operation
- Certified to NSF Standard 61

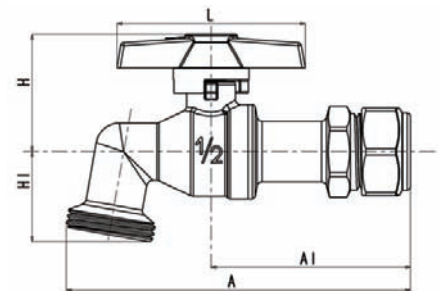
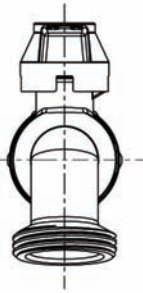
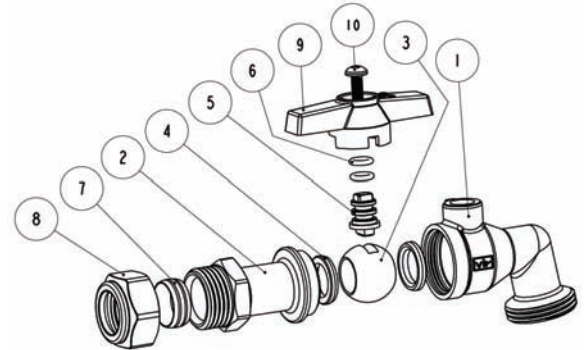


NSF 61



## Materials & Specifications

Item	Description	Material	Specification
1	Body	Brass	ASTM B283 C37700
2	Cap	Brass	ASTM B283 C37700
3	Ball	Brass	ASTM B124 C37700
4	Seat	PTFE	----
5	Stem	Brass	ASTM B124 C37700
6	O-ring Packing	NBR	NSF Approved
7	Ferrule	Brass	Brass ASTM C27200
8	Compression Nut	Brass	ASTMB283 C37700
9	Handle	Aluminum	ASTM B85-A03840
10	Screw	Steel	ASTM 36 Zinc Plated



Size	P/T Ratings
1/2"	125 CWP From 15°F-200°F
3/4"	125 CWP From 15°F-200°F

## Dimensions & Weights (inches-lbs.)

Size	1/2"	3/4"
Ø	.627-.631	0.877-0.881
Ø1	3/4 - 11.5	3/4 - 11.5
A	4.04	4.07
A1	2.33	2.38
H	1.37	1.37
H1	1.06	1.06
L	2.20	2.20
P	0.50	0.50
Weight (Lbs.)	0.476	0.531

