



Figure # 9133 / 9135

Oil Tank Valve (1/2")

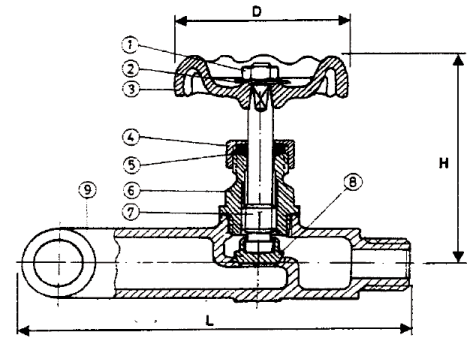
Product Features

- 125# WOG
- Brass Body
- MIP x MIP Ends (9133)
- MIP x Flare Ends (9135) Shown
- Metal to Metal Seat



Materials & Specifications

| Item | Description | Material | Specification |
|------|------------------|---------------|---------------|
| 1 | Wheel Nut | Steel | SAE 1010R |
| 2 | Name Plate | Aluminum | A1100 |
| 3 | Handwheel | Cast Iron | JIS ZZ2202 |
| 4 | Packing Nut | Brass | B16 C36000 |
| 5 | Packing | Polyflon PTFE | M-392 |
| 6 | Bonnet | Brass | B16 C36000 |
| 7 | Stem | Brass | B16 C36000 |
| 8 | Disc | Brass | B16 C36000 |
| 9 | Body | Brass | B584 C85710 |
| 10 | Flare Nut (9135) | Brass | B16 C36000 |



Dimensions & Weights (inches-lbs.)

| Item | 9133 | 9135 |
|------------|-------|-------|
| D | 2.125 | 2.125 |
| H | 2.618 | 2.618 |
| L | 4.47 | 5.00 |
| Wt. (lbs.) | .75 | .75 |

