



# Figure # 9103H

Radiator Hot Water Vented Angle Valve (1/2" - 1-1/2")

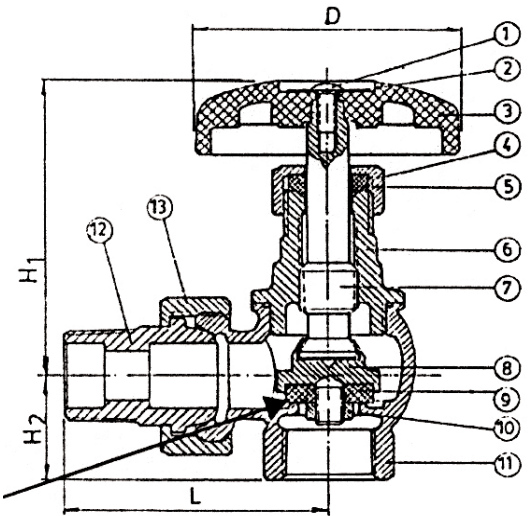
## Product Features

- 60# WOG
- Bronze Body & Disc
- Vented Disc
- FIP x Male Union Ends
- Phenolic Handwheel



## Materials & Specifications

Item	Description	Material	Specification
1	Handle Bolt	Steel	SAE 1010R
2	Tag	Aluminum	A1100
3	Handwheel	Phenolic	
4	Packing Nut	Brass	B124 C37700
5	Packing	PTFE Polyflon	M-392
6	Bonnet	Bronze	B584 C84400
7	Stem	Brass	B124 C37700
8	Seat Holder	Brass	B124 C37700
9	Seat Packing	NBR	SAE # 1052
10	Seat Nut	Bronze	B584 C84400
11	Body	Bronze	B584 C84400
12	Union Nipple	Bronze	B584 C84400
13	Union Nut	Bronze	B584 C84400



Vent In seat

## Dimensions & Weights (inches-lbs.)

Size	1/2	3/4	1	1-1/4	1-1/2
D	2.4	2.4	3	3.3	3.6
H1	.94	1.1	1.26	1.42	1.57
H2	.3	.5	.7	.9	1.0
L	2.2	2.64	2.8	3.2	3.6
Wt. (lbs.)	.7	.86	1.39	1.5	1.8

