



# Figure # 5592W

Brass Ball Valve (1/2"-2")

## Product Features

- 150#WSP / 600# WOG
- Forged Brass Body
- Full Port
- Adjustable Packing
- Threaded Ends
- Blowout Proof Stem
- Wing Handle
- NSF61-8 Certified 1/2"-2"
- CSA 1/2 PSI 1/2"-2"



Certified to  
ANSI/NSF 61

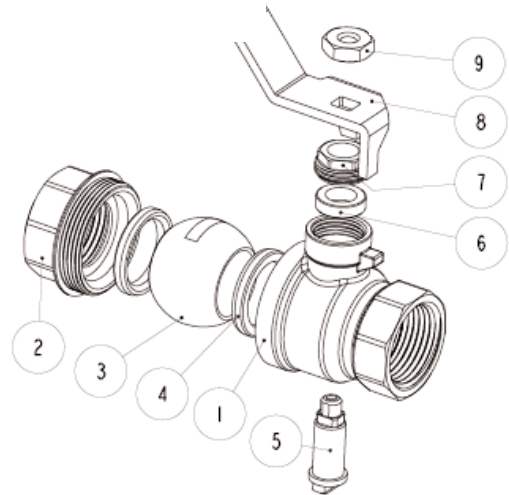


Handle cut away for illustrative purposes. Actual handle type shown above.

Pressure/Temperature Ratings	
600 PSI from 15F to 160F	150 PSI MAX at 366F

## Materials & Specifications

Item	Description	Material	Specification
1	Body	Brass	B283 C37700
2	End Piece	Brass	B283 C37700
3	Ball	Brass/Chrome Plated	B283 C37700
4	Seat	PTFE	PTFE
5	Stem	Brass	B124 C37700
6	Packing	PTFE	PTFE
7	Packing Nut	Brass	B124 C37700
8	Wing Handle	Zinc plated steel	A36 Dacromet
9	Handle Nut	Zinc plated steel	A36 Dacromet
10	I.D. Information	N/A	N/A



## Dimensions, Weights (inches-lbs.) & Valve Data

Size	1/2	3/4	1	1-1/4	1-1/2	2
A	2.5	2.5	3.2	3.2	3.9	3.9
H	1.7	1.9	2.3	2.5	2.8	3.2
L	2.1	2.4	2.9	3.3	3.5	4.1
Cv	15	30	60	110	130	360
Wt.- lbs.	.4	.6	1.1	1.8	2.7	4

