



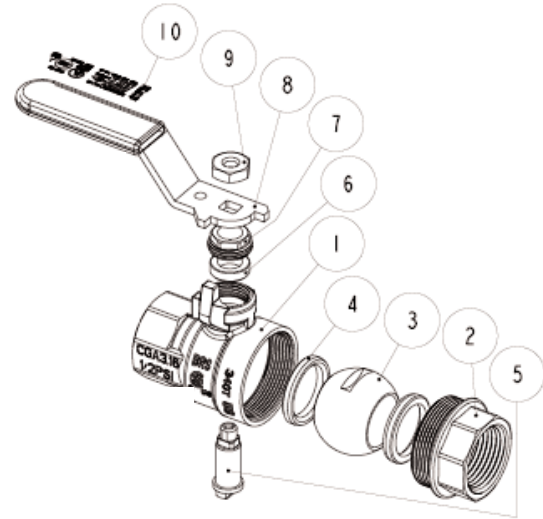
Figure # 5544F
Brass Ball Valve (1/4"-4")

Product Features

- 150#WSP / 600# WOG
- Forged Brass Body
- Full Port
- Adjustable Packing
- Threaded Ends
- Blowout Proof Stem
- MSS-SP-110
- CSA 1/2 & 5 PSI (1/4"-3")
- NSF 1/4"-2"
- UL Approved 1/2"-2"
- FM Approved 1/2"-2"



Certified to
ANSI/NSF 61



Pressure/Temperature Ratings

600 PSI from 15F to 160F

150 PSI MAX at 366F

Materials & Specifications

Item	Description	Material	Specification
1	Body	Brass	B283 C37700
2	End Piece	Brass	B283 C37700
3	Ball	Brass/Chrome Plated	B283 C37700
4	Seat	PTFE	PTFE
5	Stem	Brass	B124 C37700
6	Packing	PTFE	PTFE
7	Packing Nut	Brass	B124 C37700
8	Handle	Zinc plated steel	A36 Dacromet
9	Handle Nut	Zinc plated steel	A36 Dacromet
10	I.D. Information	N/A	N/A

Dimensions, Weights (inches-lbs.) & Valve Data

Size	1/4	3/8	1/2	3/4	1	1-1/4	1-1/2	2	2-1/2	3	4
A	1.73	1.73	2.13	2.45	2.85	3.28	3.8	4.34	5.91	6.82	7.56
C	.45	.45	.55	.59	.71	.73	.77	.81	1.18	1.22	1.32
H	1.54	1.54	2.10	2.24	2.57	2.78	3.27	3.56	4.68	5.13	5.64
L	3.19	3.19	3.6	3.6	4.98	4.98	5.57	5.57	11.07	11.07	11.07
P	.39	.39	.59	.79	.98	1.26	1.57	1.97	2.56	3.15	3.94
Cv	8	8	15	30	60	110	130	360	450	620	1200
Wt.- lbs.	.3	.25	.5	.7	1.2	1.7	2.8	4	8.3	11.3	17.2

