



**Figure # 5060**  
Brass Ball Valve (1/2"-1")

**Product Features**

- 600# WOG
- Forged Brass Body
- Full Port
- Drain Port on Body
- Adjustable Packing
- Threaded Ends
- Blowout Proof Stem
- NSF61-8 Certified 1/2"-1"



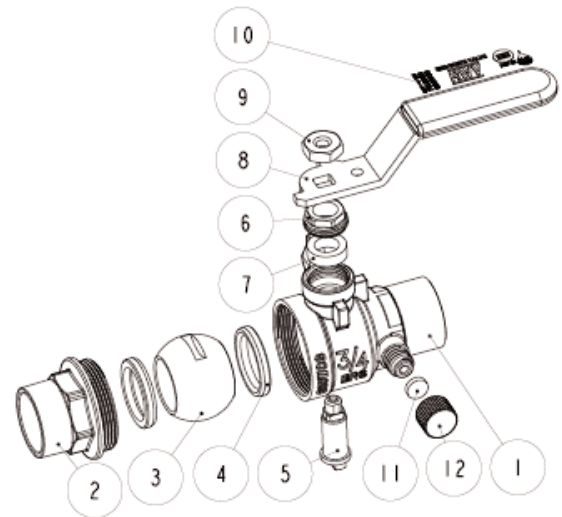
Certified to  
ANSI/NSF 61



Pressure/Temperature Ratings	
600 PSI from 15F to 160F	150 PSI MAX at 200F

**Materials & Specifications**

Item	Description	Material	Specification
1	Body	Brass	B283 C37700
2	End Piece	Brass	B283 C37700
3	Ball	Brass/Chrome Plated	B283 C37700
4	Seat	PTFE	PTFE
5	Stem	Brass	B124 C37700
6	Packing	PTFE	PTFE
7	Packing Nut	Brass	B124 C37700
8	Handle	Zinc plated steel	A36 Dacromet
9	Handle Nut	Zinc plated steel	A36 Dacromet
10	I.D. Information	N/A	N/A
11	Drain Gasket	NBR	NSF approved
12	Drain Plug	Brass	B124 C37700



**Dimensions, Weights (inches-lbs.) & Valve Data**

Size	1/2	3/4	1
A	2.42	2.78	3.19
C	.61	.65	.77
H	2.13	2.26	2.57
L	3.60	3.60	4.98
P	.59	.79	.98
Cv	15	30	60
Wt.- lbs.	.6	.8	1.4

Size	All
Drain Thread	3/8 Whitworth
Drain Size	.125

