



# Figure # 5050F

Bronze # Piece Ball Valve (1/2"-2")

## Product Features

- 150#WSP / 600# WOG
- Bronze 3-Piece Body
- Full Port
- PTFE Seats
- Threaded Ends
- Blowout Proof Stem
- Chrome Plated Ball
- MSS-SP-110

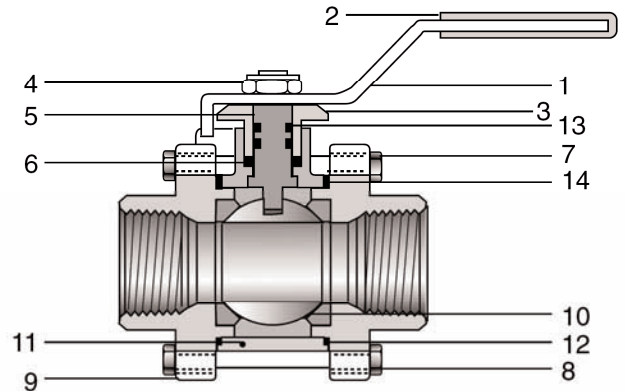


### Pressure/Temperature Ratings

150 PSI max steam/ 600# WOG	360 degrees F. max temp.
-----------------------------	--------------------------

## Materials & Specifications

Item	Description	Material	Specification
1	Handle	Steel	A107-1020
2	Handle Cover	PVC	-
3	Gland Screw	Brass	B16-C36000
4	Lock Nut	Steel	A107-1020
5	Stem	Brass	B16-C36000
6	Packing	PTFE	-
7	Body Bolt	Steel	A107-1020
8	Body Nut	Steel	A107-1020
9	Body Cap	Bronze	B584-C84400
10	Ball	Brass/ Chrome plated	B283-C37700
11	Body	Bronze	B584-C84400
12	Seat	PTFE	-
13	Packing Seal	NBR O-ring	-
14	Seal	PTFE	-



## Dimensions, Weights (inches-lbs.) & Valve Data

Size	1/2	3/4	1	1-1/4	1-1/2	2
d	.63	.8	.98	1.26	1.5	1.97
E	4	4	4.9	4.9	5.98	5.98
H	1.95	2.13	2.58	2.7	3.07	3.5
L	2.68	3.19	3.52	4.25	4.65	5.30
Cv	15	30	60	110	130	360
Wt.- lbs.	1.2	1.7	2.4	3.4	4.8	7.8

