

**Feature**

- 150# WSP / 600# WOG
- Brass body
- Full port
- Adjustable packing
- Solder x Solder
- Solder ends (ASME B16.22)
- Blow-out proof stem
- MSS-SP-110
- 29 in-Hg rating for Vacuum Service

Meet BAA requirement

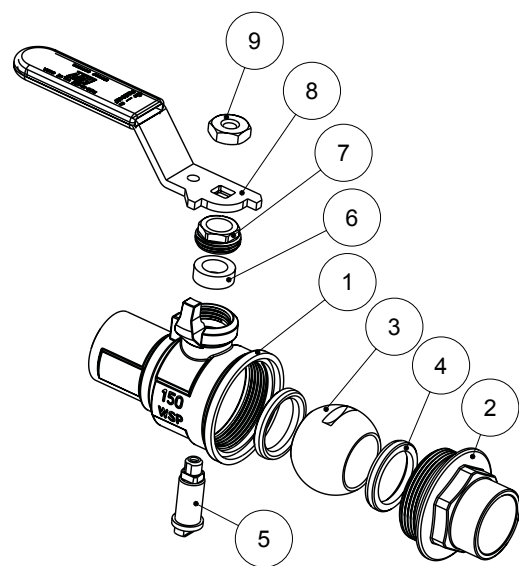
Pressure / Temperature rating	
600 psi from 15 °F to 160 °F	150 psi max. at 366 °F

Connection Working Pressure				
Solder used in joint	Working temp (°F)	Max. working pressure (PSI)		
		3/8" - 1"	1 1/4" - 2"	2 1/2" - 4"
95-5 Tin antimony (ASTM B32 grade 95TA)	100	500	400	300
	150	400	350	275
	200	300	250	200
	250	200	175	150



**Material**

Part	Material	Specification
1 Body	Brass	ASTM B283 C37700
2 End piece	Brass	ASTM B283 C37700
3 Ball	Brass / Cr plated	ASTM B283 C37700
4 Seat	PTFE	PTFE
5 Stem	Brass	ASTM B124 C37700
6 Packing	PTFE	PTFE
7 Packing nut	Brass	ASTM B124 C37700
8 Handle	Steel / Geomet® plated	A36
9 Handle nut	Steel / Zn plated	A36



**Dimension, Cv, Weight**

Size	Φ	A [in]	C [in]	H [in]	L [in]	P [in]	Cv	Wt. [lb]
3/8"	0.502-0.506	1.89	0.51	1.55	3.19	0.39	8	0.28
1/2"	0.627-0.631	2.60	0.51	2.13	3.60	0.59	15	0.56
3/4"	0.877-0.881	3.15	0.75	2.24	3.60	0.79	30	0.80
1"	1.128-1.131	3.31	0.91	2.57	4.98	0.98	60	1.18
1 1/4"	1.378-1.381	3.86	0.97	2.79	4.98	1.26	110	2.08
1 1/2"	1.628-1.632	4.53	1.09	3.28	5.57	1.57	130	3.00
2"	2.128-2.132	5.51	1.34	3.58	5.57	1.97	360	4.50
2 1/2"	2.628-2.632	6.65	1.50	4.70	11.07	2.56	450	9.02
3"	3.128-3.132	7.72	1.69	5.15	11.07	3.07	620	13.50
4"	4.128-4.133	9.34	2.17	5.64	11.07	3.94	1200	16.44

