



ECO-VALVE

Figure # 5020AB

Low Lead Full Port EzPress Ball Valve

Product Features

- 600# WOG
- DR-Brass Body
- Dual EzPress Ends
- Chrome Plated Ball
- PTFE Seats
- Blow-Out Proof Stem
- Adjustable Packing
- MSS-SP-110
- AB1953 Certified

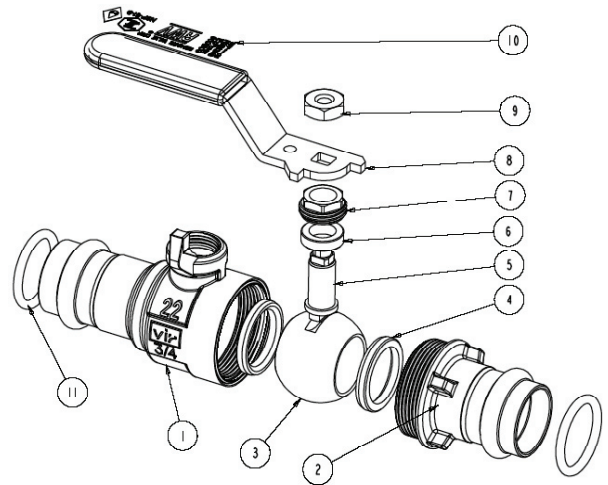


Certified to
ANSI/NSF 61



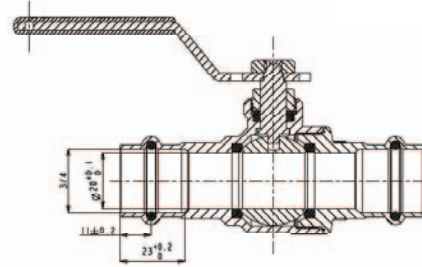
Technical Specifications

Size	1/2	3/4	1	1-1/4	1-1/2	2
Cv	15	30	60	110	130	360
T Max - F	266	266	266	266	266	266
P max valve @ 200F	600	600	600	600	600	600
P max connection psi	200	200	200	200	200	200



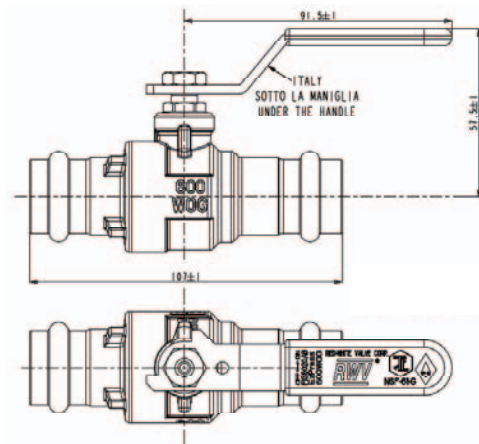
Materials & Specifications

Item	Description	Material	Specification
1	Body	Low Lead Brass	CW510L
2	Body cap	Low Lead Brass	CW510L
3	Ball	Low Lead Brass/Cr Plated	CW510L
4	Stem	Low Lead Brass	CW510L
5	Seat	PTFE	PTFE
6	Packing ring	PTFE	PTFE
7	Packing nut	Brass	B124 C37700
8	Handle	Dacromet Steel	A36 Dacromet
9	Handle nut	Zinc Plated Steel	A36
10	O-ring	EPDM	EPDM
11	Valve info	-	-



Dimensions, Weights (inches-lbs.) & Valve Data

Size	1/2	3/4	1	1-1/4	1-1/2	2
Ø	0.64	0.88	1.14	1.39	1.64	2.14
A	3.42	4.21	4.64	5.04	5.98	6.97
C	0.79	0.91	0.95	1.22	1.42	1.73
H	2.13	2.26	2.58	2.82	3.29	3.58
L	3.60	3.60	4.98	4.98	5.57	5.57
P	0.59	0.79	0.98	1.26	1.57	1.97
Wt.	0.55	0.83	1.26	1.84	2.93	4.63



RED-WHITE VALVE CORP.

20600 Regency Lane, Lake Forest, CA 92630

TEL: 949.859.1010 • FAX: 949.859.7200 • www.redwhitevalvecorp.com