



**Figure # 5020**  
Full Port EzPress Ball Valve

**Product Features**

- 200# WOG
- Bronze Body
- Dual Female Press Ends
- Chrome Plated Ball
- PTFE Seats
- Blow-Out Proof Stem
- Adjustable Packing
- MSS-SP-110 Base Design
- Compatible with XL series Jaws

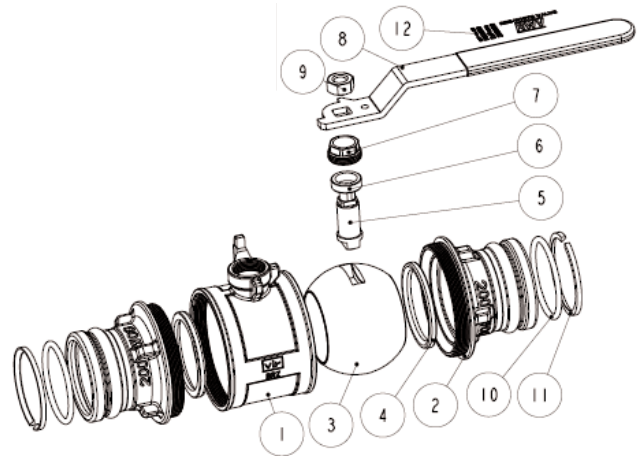


**Technical Specifications**

Size	2-1/2	3	4
Cv	450	620	1200
T Max - F	250	250	250
P max valve @ 250F	100	100	100
P max connection psi	200	200	200

**Materials & Specifications**

Item	Description	Material	Specification
1	Body	Bronze	ASTM B30-C83600
2	Body Cap	Bronze	ASTM B30-C83600
3	Ball	Brass	ASTM B30-C85700 Chromium Plated
4	Seats	PTFE	---
5	Stem	Brass	ASTM B124-C37700
6	Packing Ring	PTFE	---
7	Packing Nut	Brass	ASTM B124-C37700
8	Handle	Steel	ASTM A36 Dacromet Plated
9	Nut	Steel	ASTM A36 Zinc Plated
10	O-Ring	EPDM Perox	NSF approved
11	Pressure Ring	Steel	Steel



**Dimensions & Weights (inches-lbs.)**

Size	2-1/2	3	4
Ø	2.66	3.14	4.17
A	8.74	9.45	10.12
C	2.36	2.36	2.52
H	4.69	5.14	5.64
L	11.07	11.07	11.07
P	2.55	3.07	3.94
Wt. (lbs.)	11.13	15.5	23.5

