



Figure # 5010D

Brass Pex End Ball Valve with Drain (1/2"-1")

Product Features

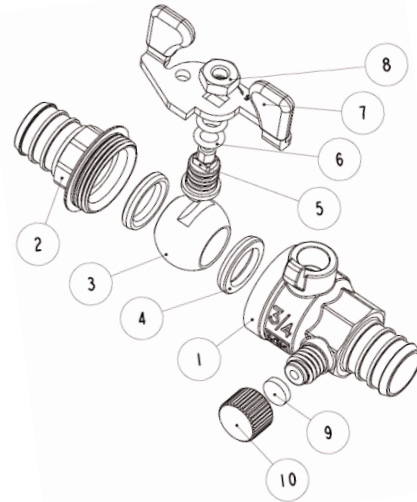
- 400# WOG
- Brass Body w/ Drain
- Regular Port
- PEX Barb Ends
- O-Ring Packing
- Chrome Plated ball
- Blowout Proof Stem
- NSF 61 Certified



Pressure/Temperature Ratings	
400 PSI from 15F to 160F	150 PSI MAX at 200F

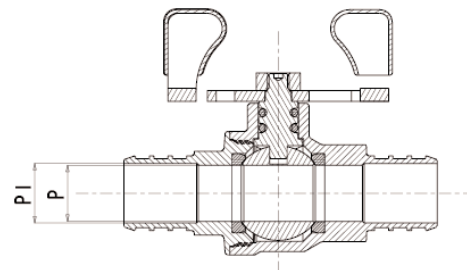
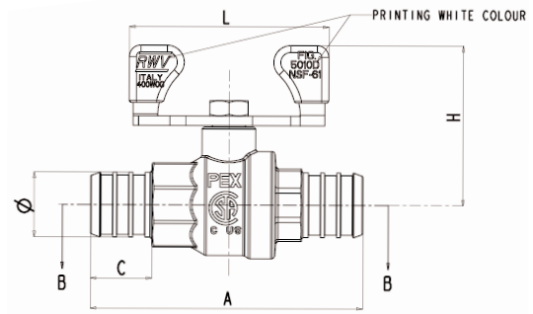
Materials & Specifications

Item	Description	Material	Specification
1	Body	Brass	B283 C37700
2	End Piece	Brass	B283 C37700
3	Ball	Brass/Chrome Plated	B283 C37700
4	Seat	PTFE	PTFE
5	Stem	Brass	B124 C37700
6	O-Ring Packing	NBR	NSF approved
7	Wing Handle	Steel Dacromet Plated	A36
8	Handle Nut	Steel Zinc Plated	A36
9	Cap Gasket	NBR	NSF approved
10	Drain Cap	Brass	B124 C37700



Dimensions, Weights (inches-lbs.) & Valve Data

Size	1/2	3/4	1
A	2.68	2.8	3.44
C	.63	.63	.83
H	1.57	1.65	1.85
L	2.05	2.05	2.44
∅	.471	.667	.856
P	.39	.5	.71
P1	.35	.53	.71
Wt.- lbs.	.3	.4	.6



* Pressure rating may be limited by joint type. Contact Red-White for more information

