



Figure # 5010

Brass Pex End Ball Valve (1/2"-1")

Product Features

- 400# WOG
- Brass Body
- Regular Port
- PEX Barb Ends
- O-Ring Packing
- Chrome Plated ball
- Blowout Proof Stem
- NSF 61 Certified



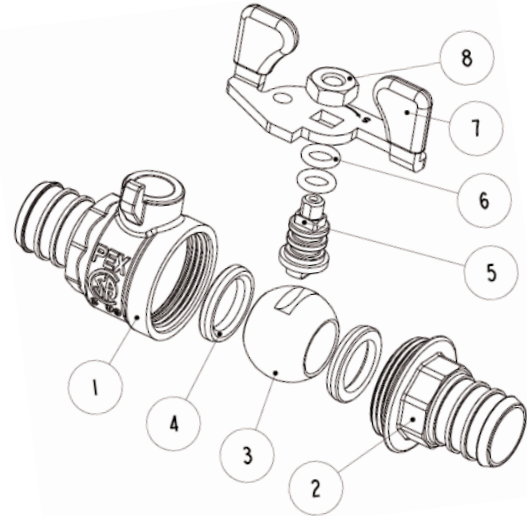
Certified to
ANSI/NSF 61



Pressure/Temperature Ratings	
400 PSI from 15F to 160F	150 PSI MAX at 200F

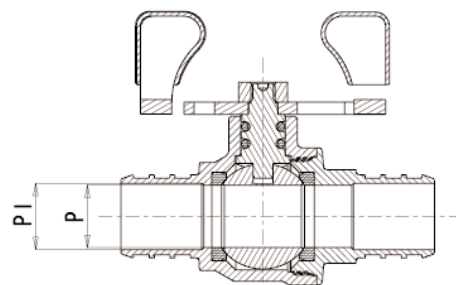
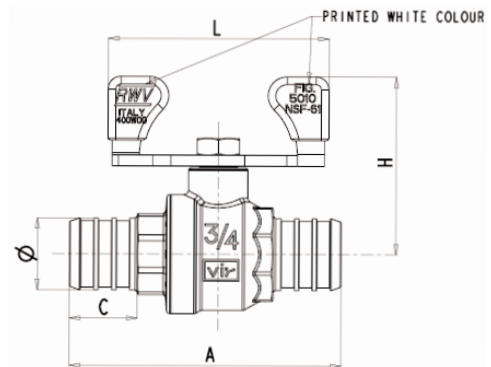
Materials & Specifications

Item	Description	Material	Specification
1	Body	Brass	B283 C37700
2	End Piece	Brass	B283 C37700
3	Ball	Brass/Chrome Plated	B283 C37700
4	Seat	PTFE	PTFE
5	Stem	Brass	B124 C37700
6	Packing	PTFE	PTFE
7	Packing Nut	Brass	B124 C37700
8	Handle	Zinc plated steel	A36 Dacromet
9	Handle Nut	Zinc plated steel	A36 Dacromet
10	I.D. Information	N/A	N/A



Dimensions, Weights (inches-lbs.) & Valve Data

Size	1/2	3/4	1
A	2.36	2.52	3.17
C	.63	.63	.83
H	1.57	1.65	1.85
L	2.05	2.05	2.44
∅	.471	.667	.856
P	.39	.5	.71
P1	.35	.53	.71
Wt.- lbs.	.2	.3	.5



* Pressure rating may be limited by joint type. Contact Red-White for more information

