



Figure # 5009L

Brass Pex End Ball Valve (1/2"-1")

Product Features

- 400# WOG*
- Brass Body
- Regular Port
- PEX Barb Ends
- O-Ring Packing
- Chrome Plated ball
- Blowout Proof Stem



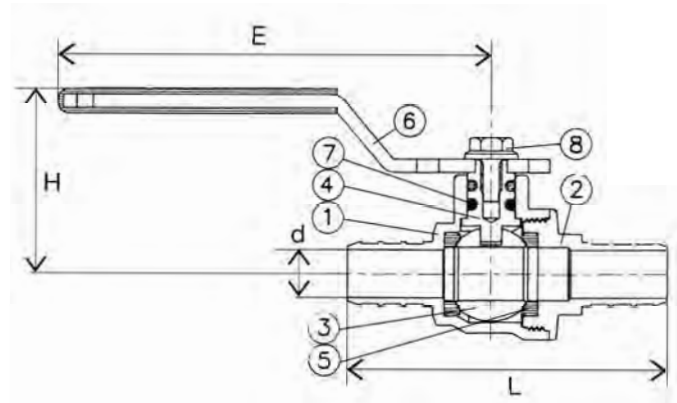
Pressure/Temperature Ratings

400 PSI from 15F to 160F

150 PSI MAX at 200F

Materials & Specifications

Item	Description	Material	Specification
1	Body	Brass	B283 C37700
2	End Piece	Brass	B283 C37700
3	Ball	Brass/Chrome Plated	B283 C37700
4	Stem	Brass	B124 C37700
5	Seat	PTFE	PTFE
6	Handle	Zinc plated steel	A36 Dacromet
7	Packing	O-Ring NBR	NBR
8	Handle Nut	Zinc plated steel	A36 Dacromet



Dimensions, Weights (inches-lbs.) & Valve Data

Size	1/2	3/4	1
d	.37	.56	.75
E	2.83	3	3.5
H	1.25	1.5	1.75
L	2.5	2.75	3.25
Wt.- lbs.	.25	.4	.75

* Pressure rating may be limited by joint type. Contact Red-White for more information

