



Figure # 5009

Brass Pex End Ball Valve (1/2"-1")

Product Features

- 400# WOG*
- Brass Body
- Regular Port
- PEX Barb Ends
- O-Ring Packing
- Chrome Plated ball
- Blowout Proof Stem



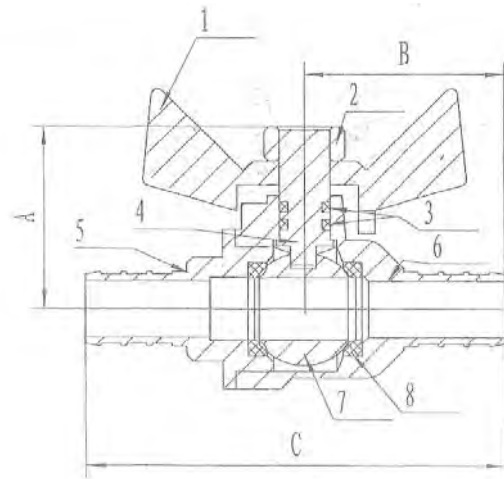
Pressure/Temperature Ratings

400 PSI from 15F to 160F

150 PSI MAX at 200F

Materials & Specifications

Item	Description	Material	Specification
1	Handle	Aluminum	B85
2	Handle Nut	Zinc plated steel	A36
3	Packing	O-Ring NBR	NBR
4	Stem	Brass	B124 C37700
5	Body End	Brass	B283 C37700
6	Body	Brass	B283 C37700
7	Ball	Brass/Chrome Plated	B283 C37700
8	Seat	PTFE	PTFE



Dimensions, Weights (inches-lbs.) & Valve Data

Size	1/2	3/4	1
A	1.25	1.5	1.75
C	2.5	2.75	3.25
Wt.- lbs.	.25	.4	.75

* Pressure rating may be limited by joint type. Contact Red-White for more information

