



# Figure # 318A

Bronze Threaded End Gate Valve (1/2"-2")

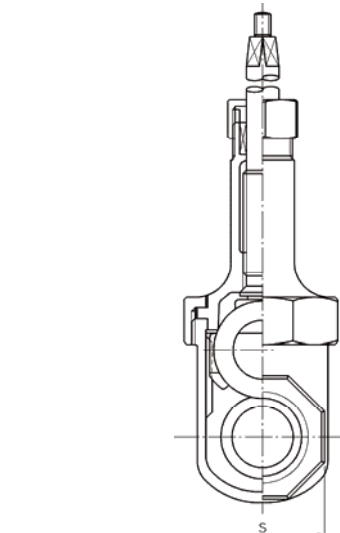
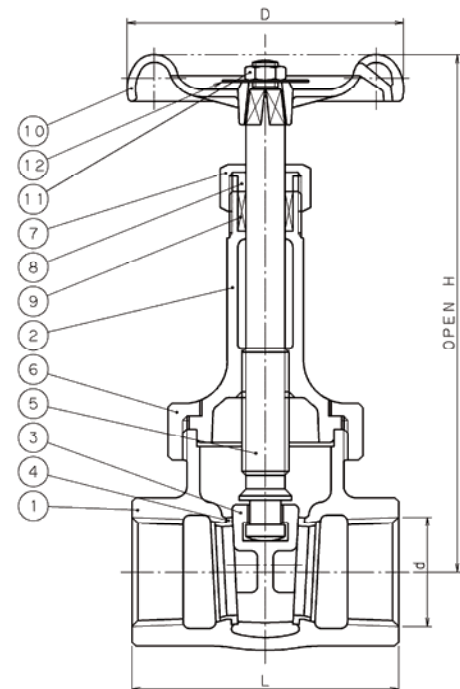
## Product Features

- 300# WSP / 1000# WOG
- Bronze Body
- Solid Disc
- Threaded Ends
- Union Bonnet
- Rising Stem
- MSS-SP-80



## Materials & Specifications

Item	Description	Material	Specification
1	Body	Cast Bronze	B62-C83600
2	Bonnet	Cast Bronze	B62-C83600
3	Disc	Cast Bronze	B62-C83600
4	Seat Rings	Bronze	B62
5	Stem	Brass	DR Alloy
6	Union Nut	Bronze	B61-C92200
7	Packing Nut	Brass	B283-C37700
8	Gland	Brass	B124-C37700
9	Gland Packing	Plastic Graphite	T#2996NA
10	Handwheel	Aluminum Alloy	B86-AG40A
11	Wheel Nut	Steel	A36
12	Name Plate	Aluminum	B209



## Dimensions, Weights (inches-lbs.) & Valve Data

Size	1/2	3/4	1	1-1/4	1-1/2	2
D	2.76	3.15	3.15	3.94	4.33	4.92
d (NPT)	.5	.75	1.0	1.25	1.5	2.0
H	5.91	6.81	7.64	8.98	10.75	12.32
L	2.00	2.21	2.60	2.91	3.31	3.86
S	1.14	1.38	1.73	2.13	2.36	2.91
Cv	12	26	42	72	120	210
Wt.- lbs.	1.3	1.8	2.5	4.2	6.0	9.5

