



Figure # 280
Bronze Threaded Gate Valve

Product Features

- 125# WSP / 200# WOG
- Bronze Body
- Threaded Ends
- Inserted Bonnet
- Non-Rising Stem
- Solid Disc
- MSS-SP-80
- NSF to 2"

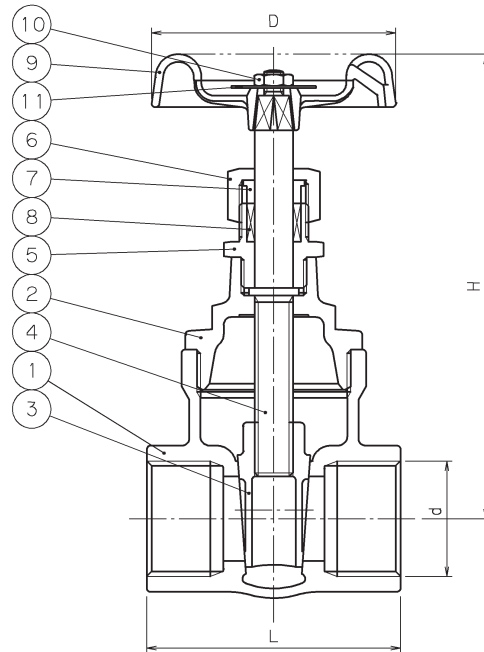


Certified to
ANSI/NSF 61



Materials & Specifications

Item	Description	Material	Specification
1	Body	Cast Bronze	B62-C83600
2	Bonnet	Cast Bronze	B62-C83600
3	Disc	1/2" - 3" Bronze	B62-C83600
3	Disc	1/4" - 3/8" Brass	DR Alloy
4	Stem	Brass	DR Alloy
5	Stuffing Box	3" Bronze	B62-C83600
5	Stuffing Box	1/4" - 2" Brass	B16-C36000
6	Packing Nut	3" Bronze	B62-C83600
6	Packing Nut	1/4" - 2" Brass	B283-C37700
7	Gland	Brass	B124-C37700
8	Gland Packing	Plastic/Graphite	T#2996NA
9	Handwheel	3/4" - 3" Alum. Alloy	B85-SC114A
9	Handwheel	1/4" - 1/2 Zinc Alloy	B86-AG40A
10	Wheel Nut	Zinc Plated Steel	A36
11	Name Plate	Aluminum	B209-1100



Dimensions & Weights (inches-lbs.)

Size	1/4	3/8	1/2	3/4	1	1-1/4	1-1/2	2	2-1/2	3
D	1.89	1.89	2.17	2.48	2.76	3.15	3.54	3.94	4.33	4.92
H	3.58	3.58	3.78	4.33	4.88	5.63	6.46	7.60	9.29	10.71
L	1.70	1.79	1.97	2.21	2.56	2.84	3.11	2.89	4.19	4.57
S	.79	.95	1.14	1.38	1.61	1.97	2.24	2.76	3.39	3.94
Cv	2.8	5.7	12	26	42	72	120	210	335	486
Wt. - lbs.	.62	.66	.86	1.17	1.74	2.45	3.55	5.34	8.36	12.46

