



ECO-VALVE

Figure # 246AB

Low Lead Brass Swing Check Valve

Product Features

- 200# WOG
- Forge Brass Body
- Threaded Ends
- Horizontal "T" pattern
- AB1953 Certified



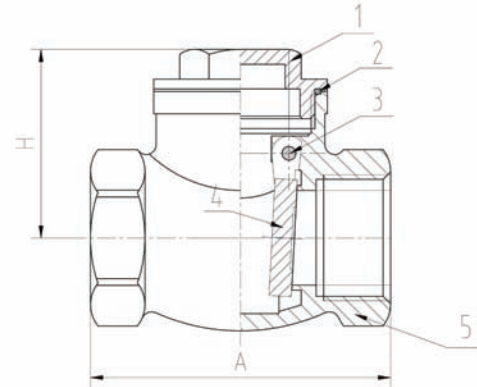
Certified to
ANSI/NSF 61



Pressure/Temperature Rating	
200# WOG	450°F Max. Temp

Materials & Specifications

Item	Description	Material	Specification
1	Cap	Low Lead Brass	CW510L
2	Gasket	PTFE	PTFE
3	Pin	Low Lead Brass	CW510L
	Screw	Brass	
4	Disc	Low Lead Brass	CW510L
5	Body	Low Lead Brass	CW510L



Dimensions, Weights (inches-lbs.) & Valve Data

Size	1/2	3/4	1	1-1/4	1-1/2	2
A	2.07	2.38	2.83	3.23	3.74	4.21
H	1.30	1.42	1.61	1.97	2.24	2.64
Wt	0.42	0.56	0.85	1.36	1.88	2.62

RED-WHITE VALVE CORP.

20600 Regency Lane, Lake Forest, CA 92630

TEL: 949.859.1010 • FAX: 949.859.7200 • www.redwhitevalvecorp.com