



Figure # 237

Bronze Solder End Swing Check Valve

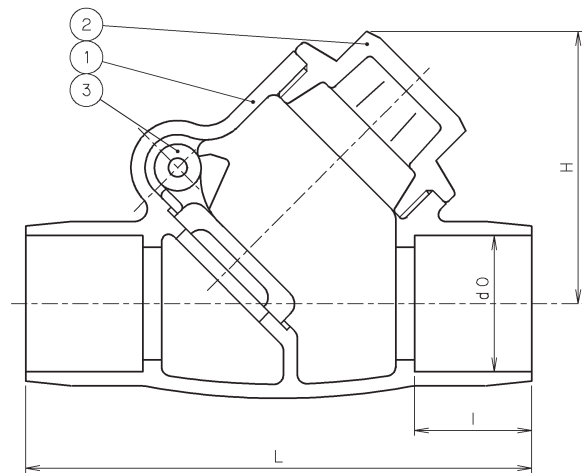
Product Features

- 125 WSP / 200# WOG
- Cast bronze body
- Bronze disc
- Solder ends
- Swing check
- "Y" Pattern
- Threaded cap
- MSS-SP-80
- NSF to 2"



Materials & Specifications

Item	Description	Material	Specification
1	Body	Bronze	B62-C83600
2	Cap: 1/4" - 2"	Brass	B283-C37700
2	Cap: 2-1/2" - 3"	Bronze	B62-C83600
3	Disc	Brass	B283-C37700
4	Plug	Brass	B16-C36000
5	Hanger pin	Brass	DR Alloy



Dimensions & Weights (inches-lbs.)

Size	3/8	1/2	3/4	1	1-1/4	1-1/2	2	2-1/2	3	
dO	Max.	.502	.627	.877	1.128	1.378	1.628	2.128	2.628	3.128
	Min.	.506	.631	.881	1.132	1.382	1.633	2.133	2.633	3.133
I	.38	.50	.75	.91	.97	1.09	1.34	1.47	1.66	
H	1.65	1.65	1.97	2.28	2.72	3.19	3.86	4.65	5.47	
L	2.60	2.60	3.39	4.09	4.72	5.39	6.69	7.64	8.74	
Cv	2.8	5	9	20	36	51	92	162	247	
Wt.- lbs.	.55	.53	.86	1.30	1.96	2.87	5.42	7.89	12.06	

