



# Figure # 236F

Brass Threaded Swing Check Valve

### Product Features

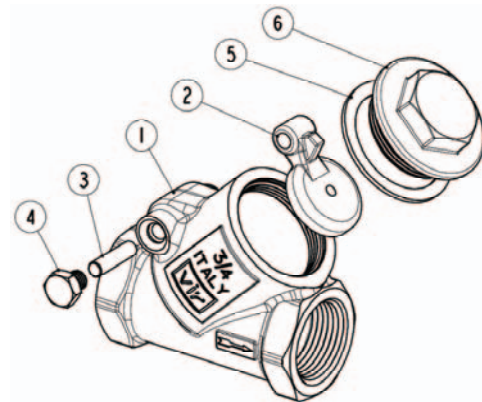
- 125# WSP / 200# WOG
- Brass Body
- Brass Disc
- Threaded Ends
- Swing Check
- "Y" Pattern
- MSS-SP-80



Pressure/Temperature Rating	
200 PSI from 15°F to 160 °F	125 PSI MAX at 366°F

### Materials & Specifications

Item	Description	Material	Specification
1	Body	Brass	B30 C85700
2	Disc	Brass	B283 C37700
3	Stem	Brass	B124 C37700
4	Screw	Brass	B124 C37700
5	Gasket	PTFE	PTFE
6	Cap	Brass	B283 C37700



### Dimensions, Weights (inches-lbs.) & Valve Data

Size	1/2	3/4	1	1-1/4	1-1/2	2	2-1/2	3
A	2.21	2.76	3.15	3.78	4.33	5.04	6.14	7.24
H	1.65	1.97	2.28	2.71	3.19	3.86	4.57	5.35
P	0.59	0.75	0.98	1.26	1.50	1.97	2.48	2.99
Wt	0.35	0.87	1.33	2.04	2.80	4.78	7.50	10.32

