



Figure # 212
Bronze Solder End Globe Valve

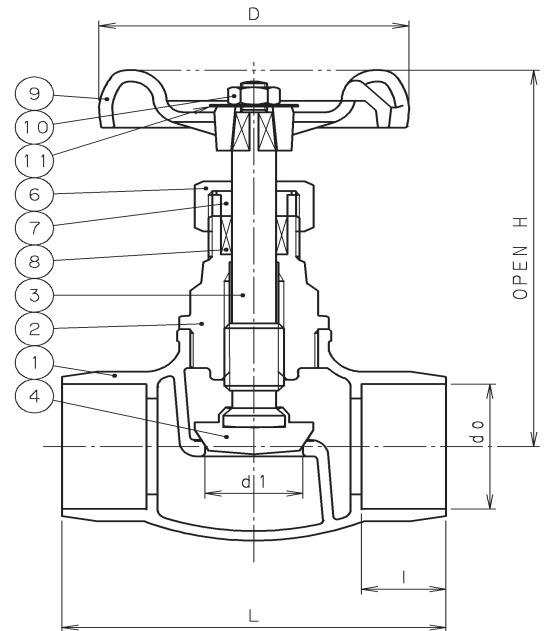
Product Features

- 125# WSP / 200# WOG
- Bronze Body
- Solder Ends
- Inserted Bonnet
- Swivel Type Disc
- MSS-SP-80



Materials & Specifications

| Item | Description | Material | Specification |
|------|---------------|------------------------|---------------|
| 1 | Body | Cast Bronze | B62-C83600 |
| 2 | Bonnet | 1/2" - 2" Bronze | B62-C83600 |
| 2 | Bonnet | 3/8" Brass | B283-C37700 |
| 3 | Stem | Brass | DR Alloy |
| 4 | Disc | 2" Bronze | B62-C83600 |
| 4 | Disc | 3/8" - 1-1/2" Brass | DR Alloy |
| 5 | Lock Nut | 2" Brass | B16-C36000 |
| 6 | Packing Nut | Brass | B283-C37700 |
| 7 | Gland | 1" - 2" Brass | B124-C37700 |
| 8 | Gland Packing | Plastic/Graphite | T#2996NA |
| 9 | Handwheel | 3/4" - 2" Alum. Alloy | B85-SC114A |
| 9 | Handwheel | 3/8" - 1/2" Zinc Alloy | B86-AG40A |
| 10 | Wheel Nut | Zinc plated | A36 |
| 11 | Name Plate | Aluminum | B209-1100 |



Dimensions & Weights (inches-lbs.)

| Size | 3/8 | 1/2 | 3/4 | 1 | |
|-----------|------|------|------|------|-------|
| d O | min. | .502 | .627 | .877 | 1.128 |
| | max. | .506 | .631 | .881 | 1.132 |
| D | 2.17 | 2.17 | 2.48 | 2.76 | |
| d1 | .47 | .59 | .79 | .98 | |
| H | 2.91 | 3.03 | 3.5 | 4.33 | |
| I | .38 | .50 | .75 | .91 | |
| L | 2.09 | 2.56 | 3.35 | 3.86 | |
| Cv | 2 | 3.5 | 6.5 | 12 | |
| Wt.- lbs. | .46 | .60 | .88 | 1.43 | |

Size 2"

