



Figure # 211
Bronze Threaded Globe Valve

Product Features

- 125# WSP / 200# WOG
- Bronze Body
- Threaded Ends
- Inserted Bonnet
- Swivel Type Disc
- MSS-SP-80
- NSF to 2"

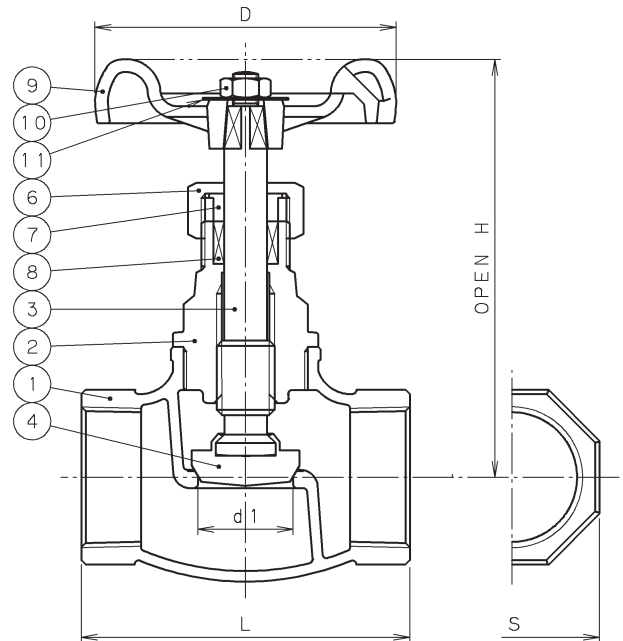


Certified to
ANSI/NSF 61



Materials & Specifications

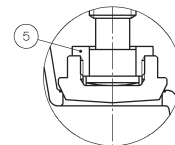
Item	Description	Material	Specification
1	Body	Cast Bronze	B62-C83600
2	Bonnet	1/2" - 4" Bronze	B62-C83600
2	Bonnet	1/4" & 3/8" Brass	B283-C37700
3	Stem	Brass	DR Alloy
4	Disc	2" - 4" Bronze	B62-C83600
4	Disc	1/4" - 1-1/2" Brass	DR Alloy
5	Lock Nut	Brass	B16-C36000
6	Packing Nut	Brass	B283-C37700
7	Gland	Brass	B124-C37700
8	Gland Packing	Plastic/Graphite	T#2996NA
9	Handwheel	3/4" - 4" Alum. Alloy	B85-SC114A
9	Handwheel	1/4" - 1/2" Zinc Alloy	B86-AG40A
10	Wheel Nut	Zinc Plated	A36
11	Name Plate	Aluminum	B209-1100



Dimensions & Weights (inches-lbs.)

Size	1/4	3/8	1/2	3/4	1	1-1/4	1-1/2	2	2-1/2	3
D	1.89	2.17	2.17	2.48	2.76	3.15	3.54	3.94	4.92	5.51
d1	.39	.47	.59	.79	.98	1.26	1.58	1.97	2.56	3.15
H	2.64	2.91	3.03	3.5	4.33	5.16	5.67	6.5	8.09	8.74
L	1.65	1.81	2.17	2.56	2.99	3.35	3.86	4.53	5.59	6.5
S	.79	.95	1.1	1.38	1.61	1.97	2.24	2.76	3.47	4.09
Cv	1.1	2	3.5	6.5	12	21	30	49	81	126
Wt.- lbs.	.40	.49	.64	.95	1.48	2.27	3.18	5.05	9.04	14.11

Sizes 2" & 2-1/2"



Sizes 3" & 4"

