



Figure # 210
Bronze Threaded Globe Valve

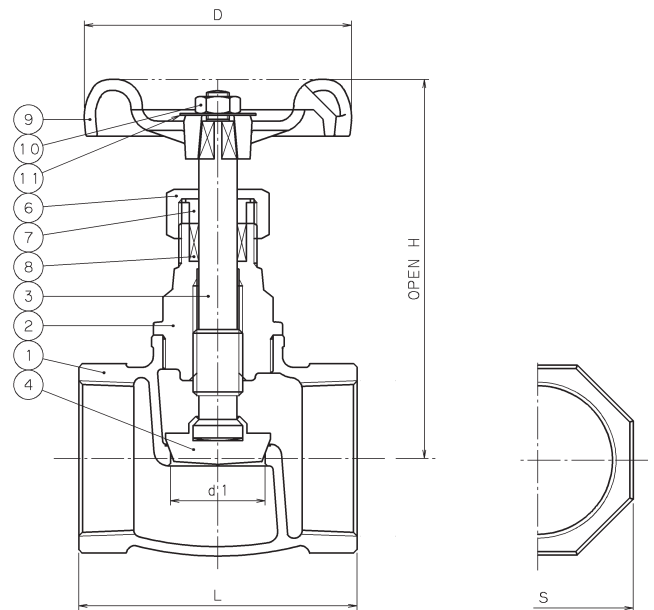
Product Features

- 100# WSP / 150# WOG
- Bronze Body
- Threaded Ends
- Swivel Type Disc
- NSF to 2"



Materials & Specifications

Item	Description	Material	Specification
1	Body	Cast Bronze	B62-C83600
2	Bonnet	3/4" - 3" Bronze	B62-C83600
2	Bonnet	1/4" - 1/2" Brass	B283-C37700
3	Stem	Brass	DR Alloy
4	Disc	2-1/2" & 3 Bronze	B62-C83600
4	Disc	1/4" - 2" Brass	DR Alloy
5	Lock Nut	Brass	B16-C36000
6	Packing Nut	Brass	B283-C37700
7	Gland	Brass	B124-C37700
8	Gland Packing	Plastic/Graphite	T#2996NA
9	Handwheel	1" - 3" Alum. Alloy	B85-SC114A
9	Handwheel	1/4" - 3/4" Zinc Alloy	B86-AG40A
10	Wheel Nut	Zinc Plated	A36
11	Name plate	Aluminum	B209-1100



Dimensions & Weights (inches-lbs.)

Size	3/8	1/2	3/4	1	1-1/4	1-1/2	2	2-1/2	3
D	1.89	2.17	2.17	2.48	2.76	3.15	3.54	3.94	4.92
d1	.39	.47	.59	.79	.98	1.26	1.58	1.97	2.56
H	2.64	2.91	3.03	3.50	4.33	5.16	5.67	6.73	8.11
L	1.65	1.89	2.09	2.48	2.87	3.23	3.86	4.53	5.32
S	.95	1.10	1.34	1.61	1.97	2.24	2.76	3.39	3.94
Cv	2	3	4.5	8.5	16	23	38	64	93
Wt.- lbs.	.42	.53	.68	.97	1.61	2.36	3.55	5.45	9.04

Sizes 2-1/2" & 3"

