



# Figure # 207F

Brass Solder End Gate Valve

### Product Features

- 125# WSP / 200# WOG
- Brass Body
- Solid Disc
- Solder Ends
- Inserted Bonnet
- Non-Rising Stem

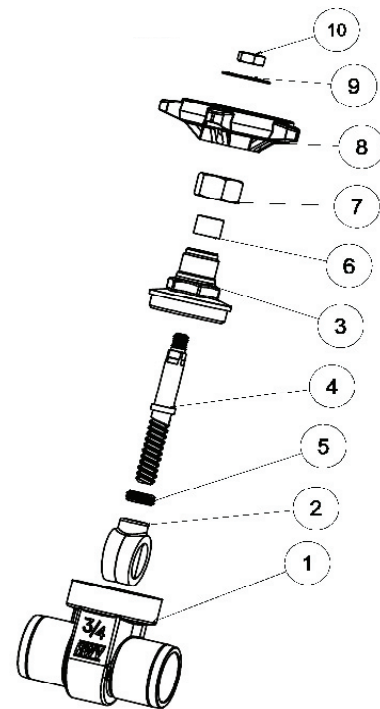


Certified to  
ANSI/ISO 61



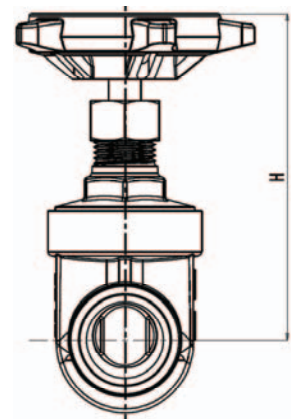
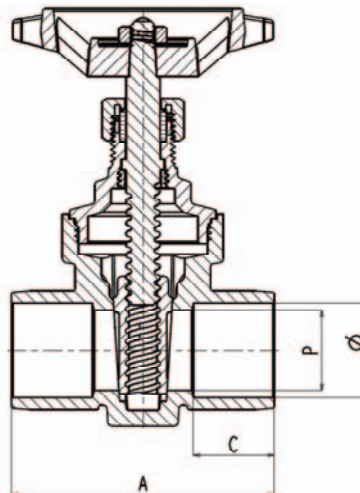
### Materials & Specifications

Item	Description	Material	Specification
1	Body	Brass	B283-C37700
2	Wedge	Brass	B283-C37700
3	Bonnet	Brass	B283-C37700
4	Stem	Brass	B124-C37700
5	Ring	Brass	B124-C37700
6	Packing ring	Graphite	WRAS approved
7	Packing nut	Brass	B124-C37700
8	Handwheel	Aluminum	B85
9	Disc	Aluminum	B85
10	Nut	Zinc Plated Steel	A36



### Dimensions, Weights (inches-lbs.) & Valve Data

Size	1/2	3/4	1	1-1/4	1-1/2	2
∅	15.92-16.02	22.27-22.37	28.65-28.75	35.00-35.10	41.35-41.47	54.05-54.17
A	1.85	2.44	2.83	3.07	3.38	4.01
C	0.50	0.75	0.91	0.97	1.09	1.34
H	2.79	3.17	3.93	4.37	4.94	6.27
L	2.51	2.51	2.99	3.54	3.54	4.13
P	0.51	0.74	1.00	1.25	1.50	2.00
Cv	10.8	23.0	42.0	72.0	120.0	210.0
Wt	0.44	0.76	1.08	1.65	2.08	3.90



### RED-WHITE VALVE CORP.

20600 Regency Lane, Lake Forest, CA 92630

TEL: 949.859.1010 • FAX: 949.859.7200 • www.redwhitevalvecorp.com