



Figure # 207
Bronze Solder End Gate Valve

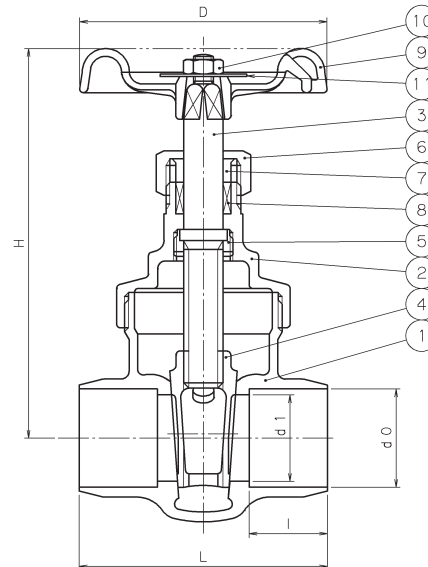
Product Features

- 125# WSP / 200# WOG
- Bronze Body
- Solid Disc
- Solder Ends
- Screw Over Bonnet - Sizes 1/4" - 2"
- Inserted Bonnet - Sizes 2-1/2" - 4"
- Non-Rising Stem
- NSF to 2"



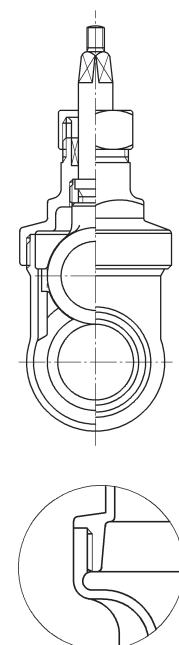
Materials & Specifications

Item	Description	Material	Specification
1	Body	Cast Bronze	B62-C83600
2	Bonnet	Cast Bronze	B62-C83600
3	Stem	Brass	DR Alloy
4	Disc	Cast Bronze	B62-C83600
5	Lock Nut	Brass	DR Alloy
6	Packing Nut	Size 4"	B62-C83600
6	Packing Nut	Sizes 3/8" - 3"	B283-C37700
7	Gland	Brass	B124-C37700
8	Gland Packing	Plastic/Graphite	T#2996NA
9	Handwheel	Sizes 1" - 4"	B85-SC114A
9	Handwheel	Sizes 3/8" - 3/4"	B86-AG40A
10	Wheel Nut	Zinc Plated	A36
11	Name Plate	Aluminum	B209-1100



Dimensions, Weights (inches-lbs.) & Valve Data

Size	3/8	1/2	3/4	1	1-1/4	1-1/2	2	2-1/2	3	4	
d1	.39	.51	.71	.95	1.22	1.46	1.93	2.44	2.95	3.94	
dO	min.	.502	.627	.877	1.128	1.378	1.628	2.128	2.628	3.128	4.133
	max.	.506	.631	.881	1.132	1.382	1.633	2.133	2.633	3.133	4.128
I	.38	.50	.75	.91	.97	1.09	1.34	1.47	1.66	2.16	
H	3.03	3.19	3.70	4.25	4.92	5.43	6.65	8.07	9.57	12.24	
L	1.56	1.81	2.34	2.78	3..01	3.37	4.00	4.54	5.15	6.87	
D	1.89	1.89	2.17	2.48	2.76	3.15	3.54	3.94	4.92	6.30	
Cv	5.7	10.8	20	35	65	118	195	330	460	772	
Wt.- lbs.	.49	.55	.82	1.12	1.63	2.32	3.75	6.24	9.41	23.26	



SIZES 2 1/2 to 4

