



Figure # 201
Bronze Solder End Gate Valve

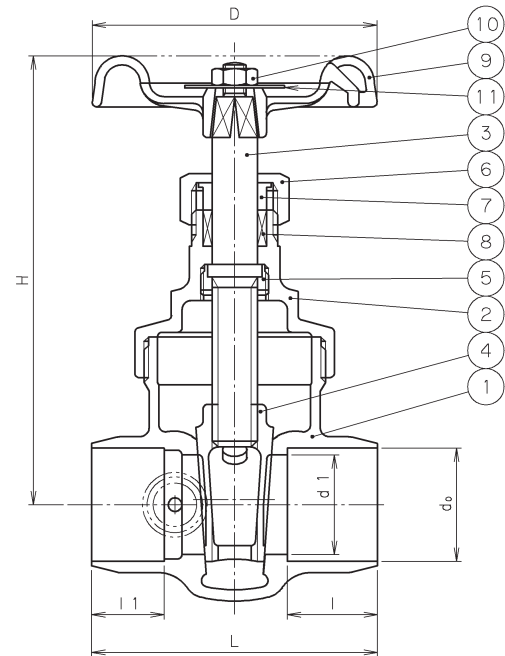
Product Features

- 125# WSP / 200# WOG
- Bronze Body
- Solder Ends
- Non-Rising Stem
- Threaded Ends
- Solid Disc
- Drain Port with cap



Materials & Specifications

| Item | Description | Material | Specification |
|------|---------------|----------------------|---------------|
| 1 | Body | Cast Bronze | B62-C83600 |
| 2 | Bonnet | Cast Bronze | B62-C83600 |
| 3 | Stem | Brass | DR Alloy |
| 4 | Disc | Bronze | B62-C83600 |
| 5 | Lock Nut | Brass | DR Alloy |
| 6 | Packing Nut | Brass | B283-C37700 |
| 7 | Gland | Brass | B124-C37700 |
| 8 | Gland Packing | Plastic/Graphite | T #2996NA |
| 9 | Handwheel | Size 1" Alum. Alloy | B85-SC114A |
| 9 | Handwheel | Size 3/4" Zinc Alloy | B86-AG40A |
| 10 | Wheel Nut | Steel | A36 |
| 11 | Name Plate | Aluminum | B209-1100 |
| 12 | Drain Cap | Brass | B124-C37700 |
| 13 | Gasket | PTFE | PTFE |



Dimensions & Weights (inches-lbs.)

| Size | 3/4 | 1 | |
|-----------|------|------|-------|
| D | 2.17 | 2.48 | |
| do | min. | .877 | 1.128 |
| | max. | .881 | 1.132 |
| d1 | .71 | .95 | |
| l | .75 | .91 | |
| l1 | .60 | .80 | |
| H | 3.70 | 4.25 | |
| L | 2.34 | 2.78 | |
| M | 1.16 | 1.30 | |
| Cv | 20 | 35 | |
| Wt.- lbs. | .82 | 1.12 | |

