



Figure # 200
Bronze Threaded Gate Valve

Product Features

- 125# WSP / 200# WOG
- Bronze Body
- Threaded Ends
- Non-Rising Stem
- Solid Disc
- Drain Port with cap

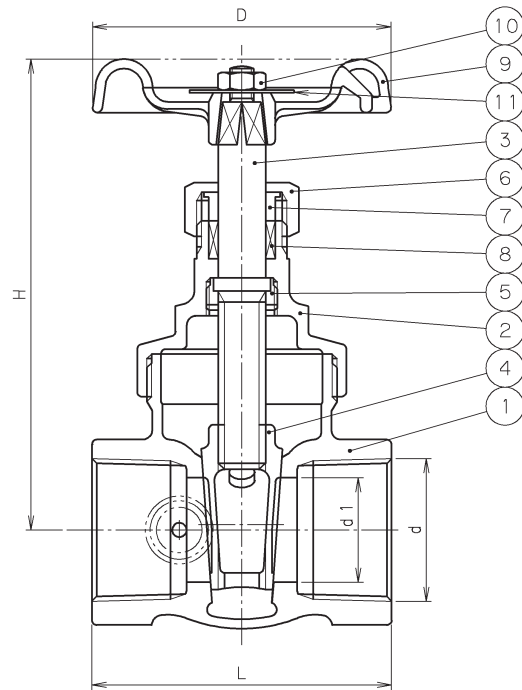


Certified to
ANSI/NSF 61



Materials & Specifications

Item	Description	Material	Specification
1	Body	Cast Bronze	B62-C83600
2	Bonnet	Cast Bronze	B62-C83600
3	Stem	Brass	DR Alloy
4	Disc	Bronze	B62-C83600
5	Lock Nut	Brass	DR Alloy
6	Packing Nut	Brass	B283-C37700
7	Gland	Brass	B124-C37700
8	Gland Packing	Plastic/Graphite	T #2996NA
9	Handwheel	Size 1" Alum. Alloy	B85-SC114A
9	Handwheel	Size 3/4" Zinc Alloy	B86-AG40A
10	Wheel Nut	Steel	A36
11	Name Plate	Aluminum	B209-1100
12	Drain Cap	Brass	B124-C37700
13	Gasket	PTFE	PTFE



Dimensions & Weights (inches-lbs.)

Size	3/4	1
D	2.17	2.48
d1	.71	.95
H	3.70	4.25
L	1.93	2.21
M	1.16	1.30
S	1.32	1.31
Cv	20	35
Wt.- lbs.	.88	1.28

